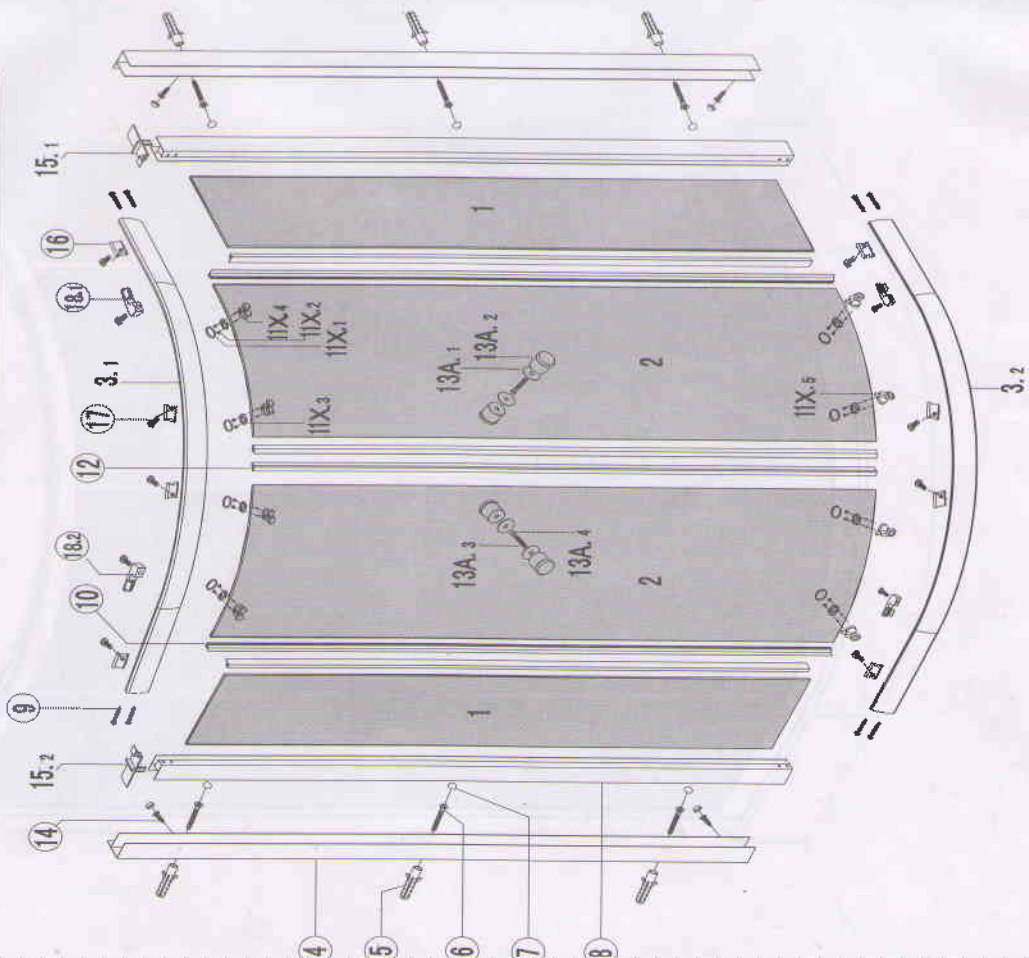
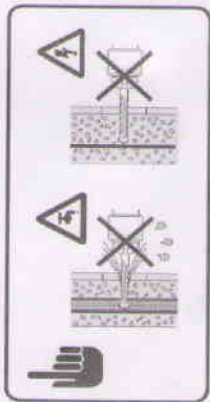
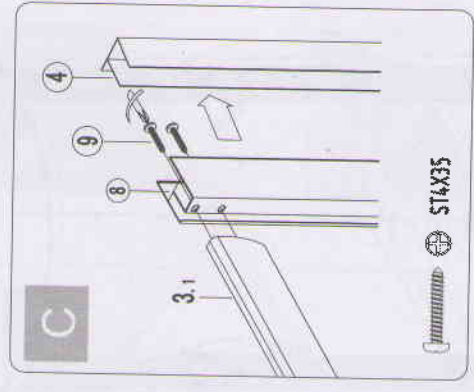
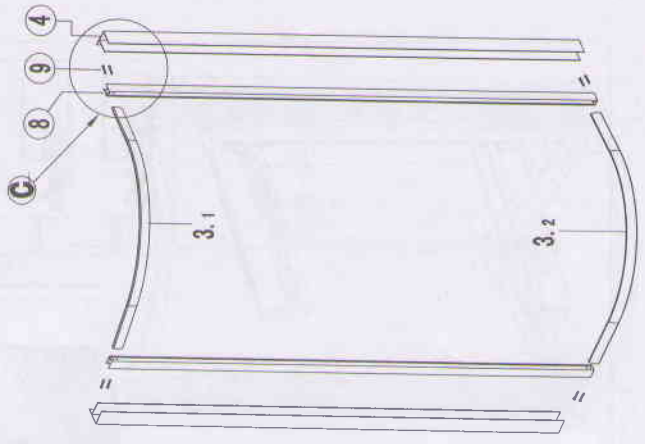
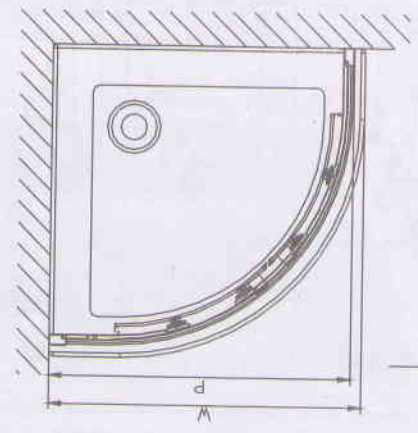
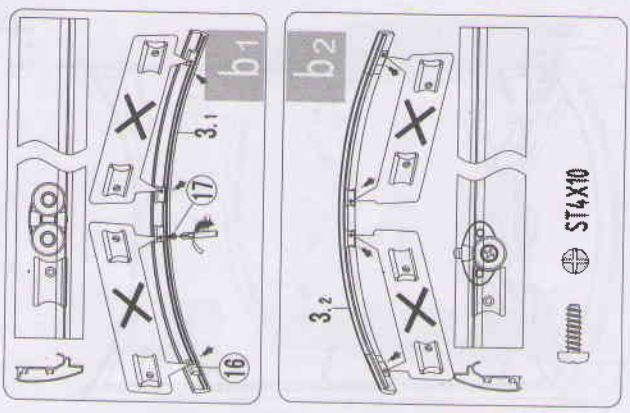
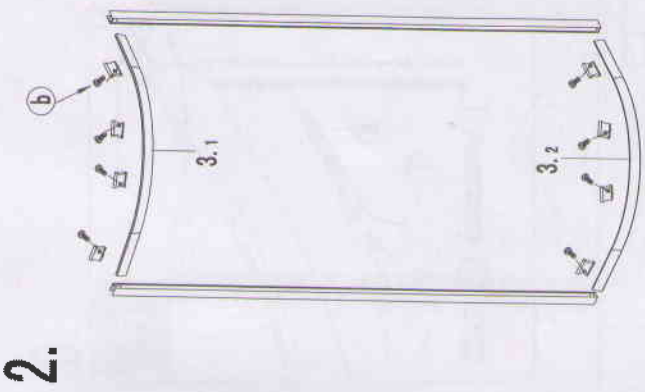
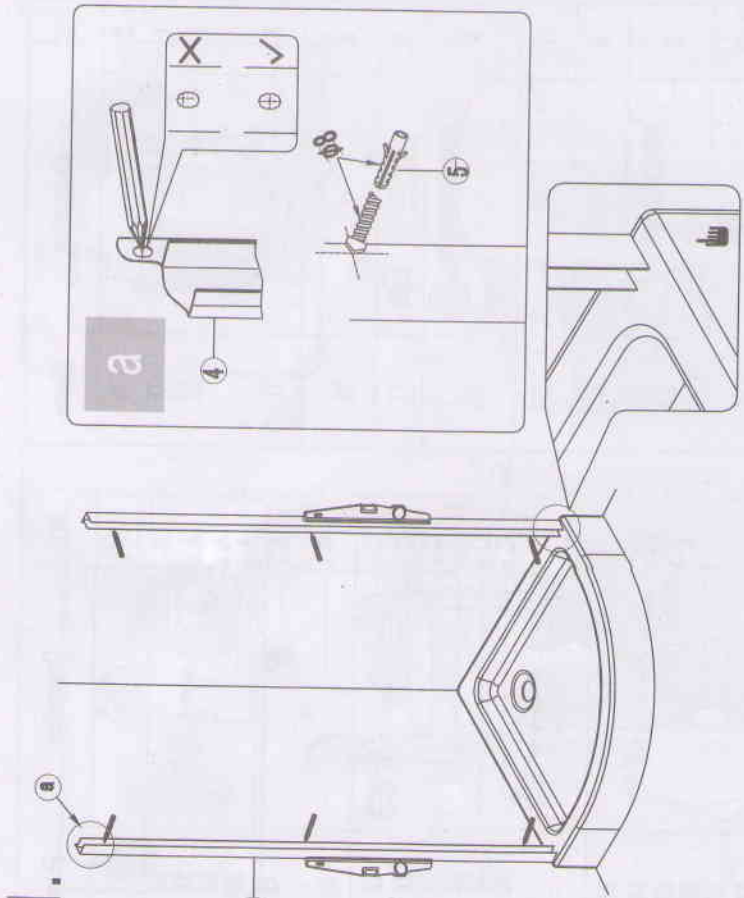


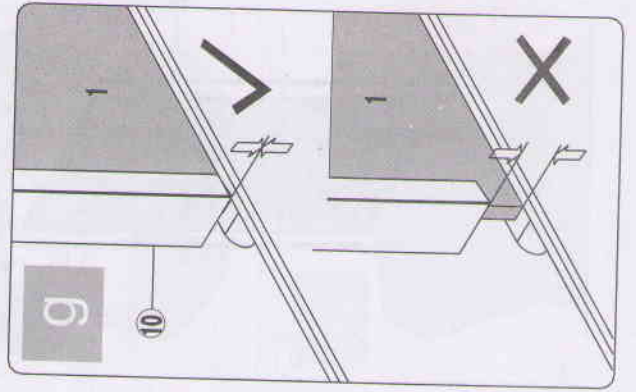
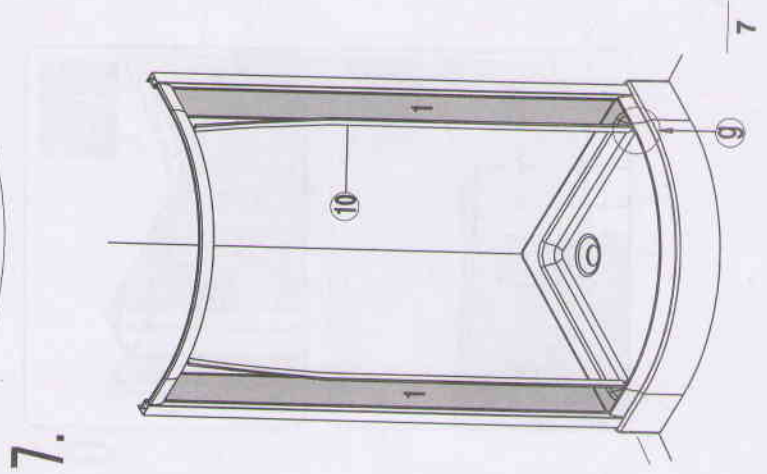
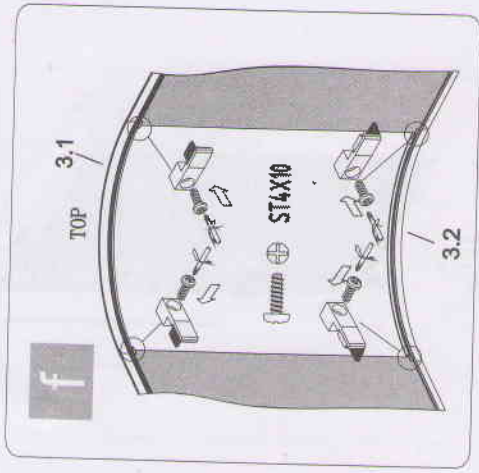
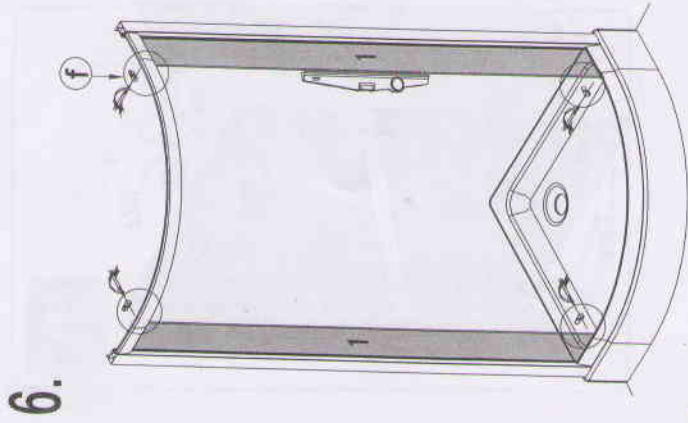
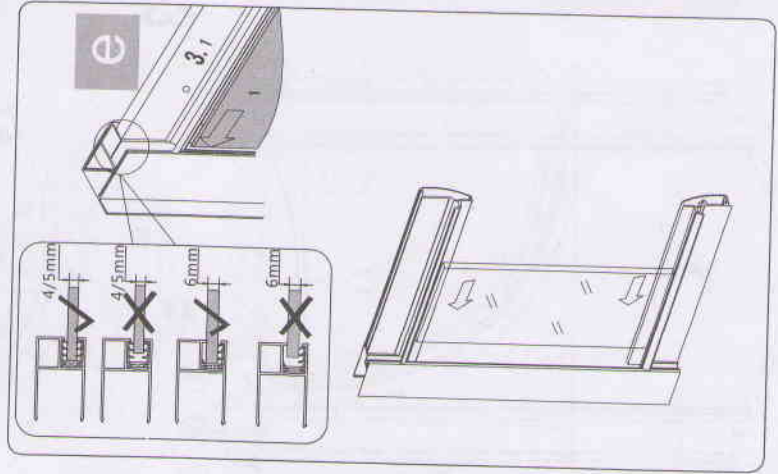
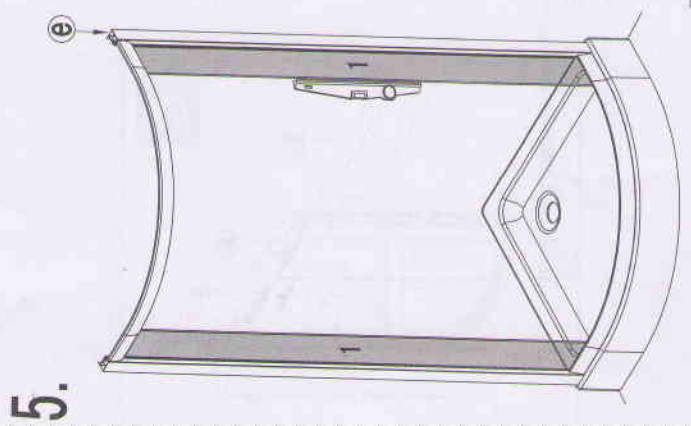
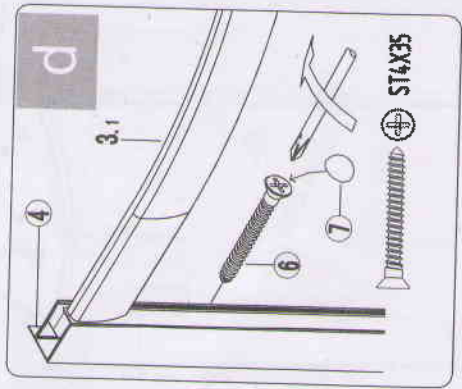
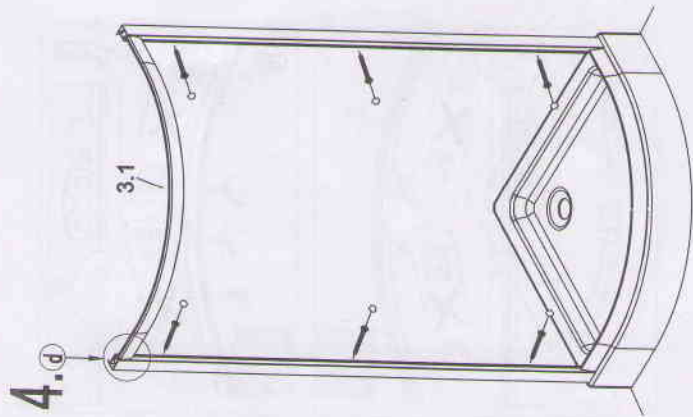
AZS100205-000/F



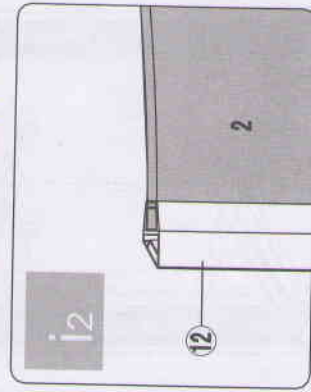
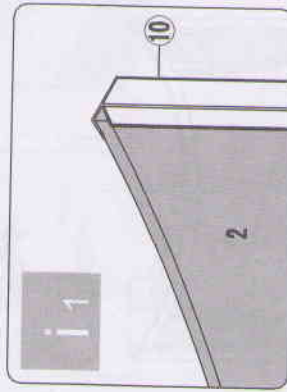
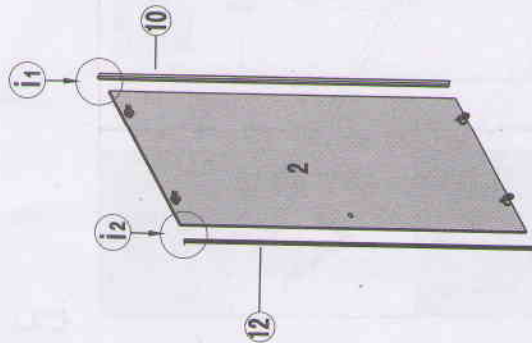
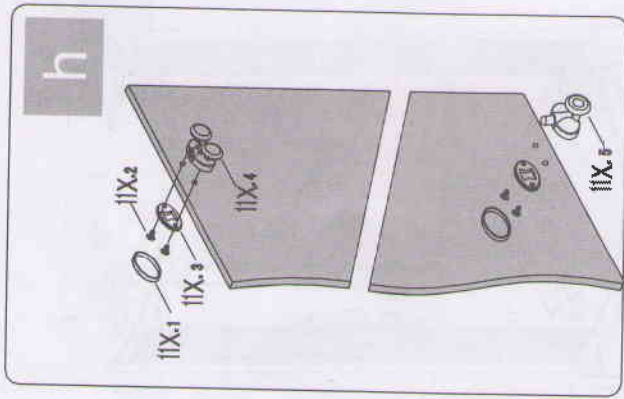
NO.	Designation	Pieces
3.1		X1
1		X2
2		X2
3.2		X1
4		X2
5		X7
6		X7
7		X11
8		X2
9		X9
10		X4
X		X8
X		X16
X		X8
X		X4
X		X4
11		X4
Y		X8
Y		X8
Y		X8
Y		X8
Y		X4
Y		X4
12		X2
A		X4
A		X4
A		X2
A		X2
B		X2
B		X2
C		X2
C		X4
C		X4
C		X8
C		X2
C		X2
13		X4
D		X4
D		X2
D		X8
D		X4
D		X2
14		X5
15.1		X1
15.2		X1
16		X8
17		X13
18.1		X2
18.2		X2



	P	W
765	765-790	800
865	865-890	900

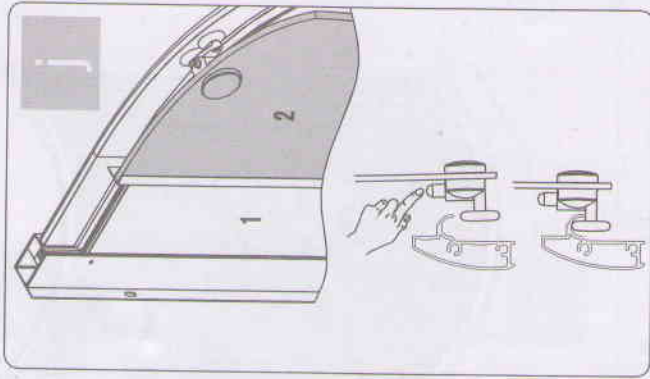
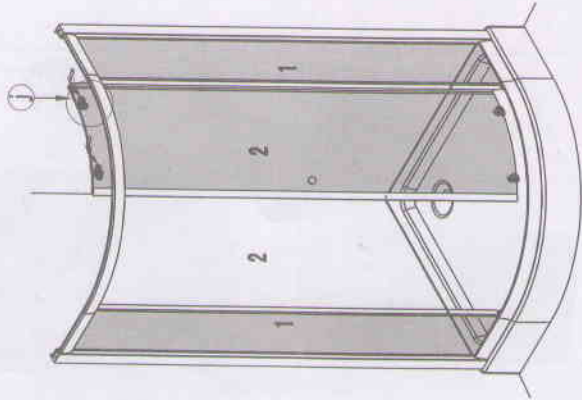


8.

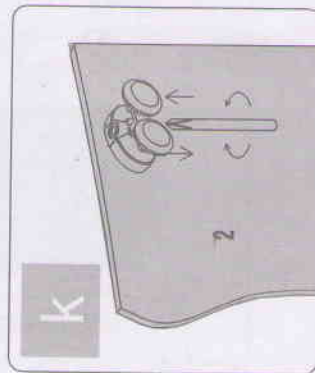
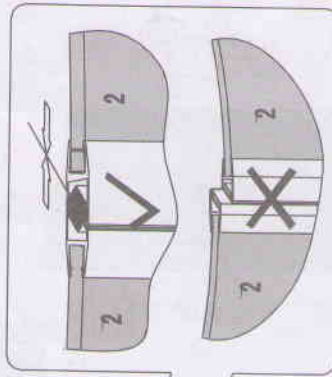
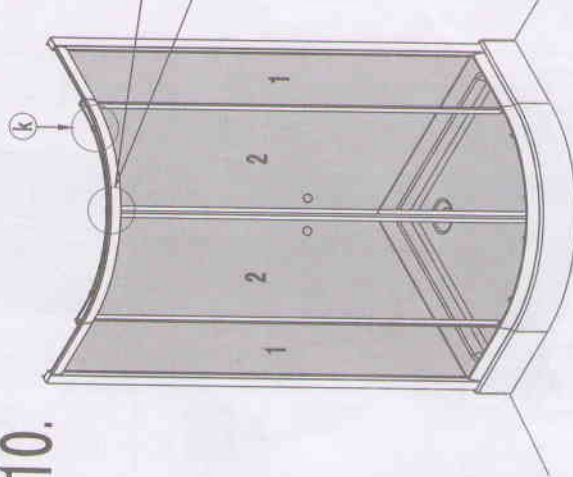


8

9.



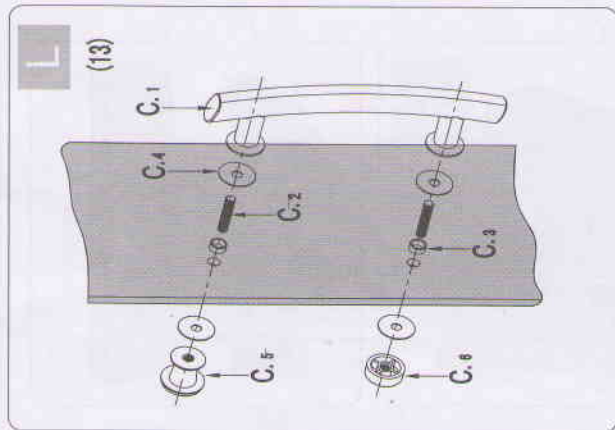
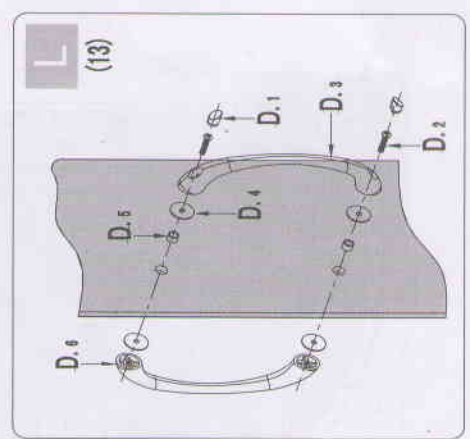
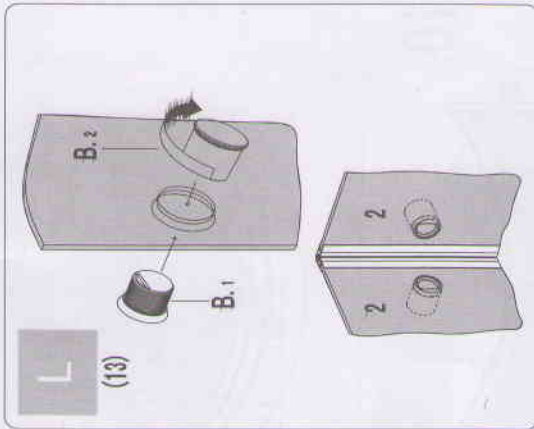
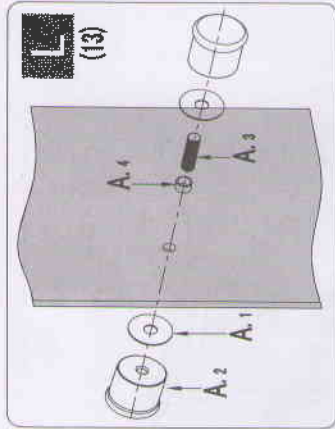
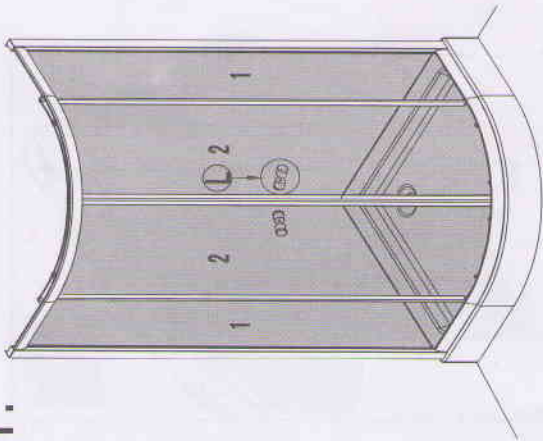
10.



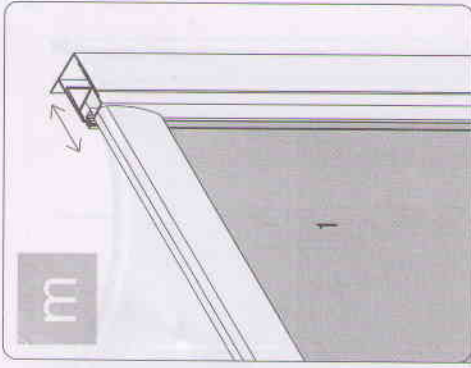
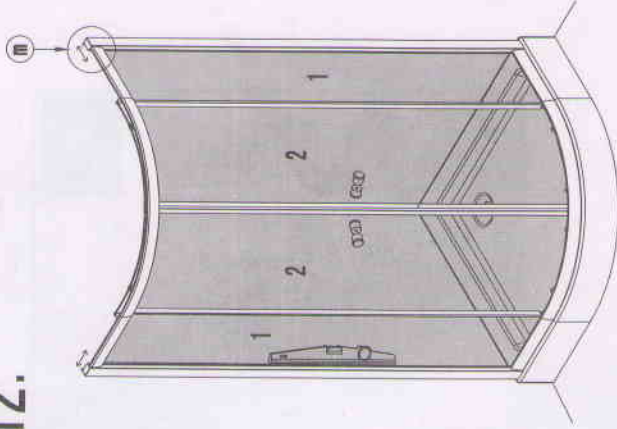
9

o

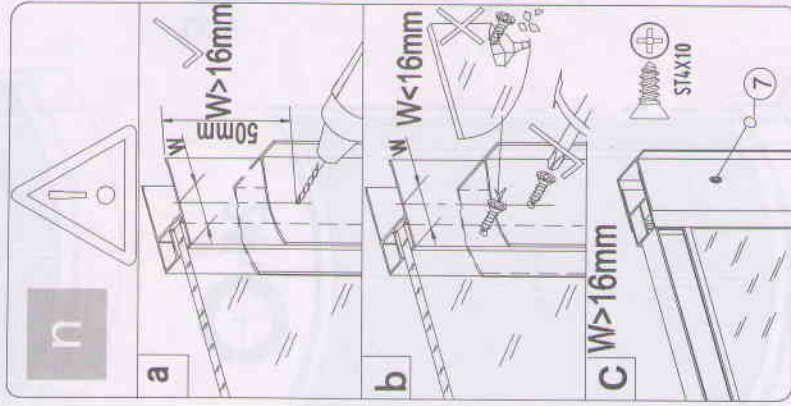
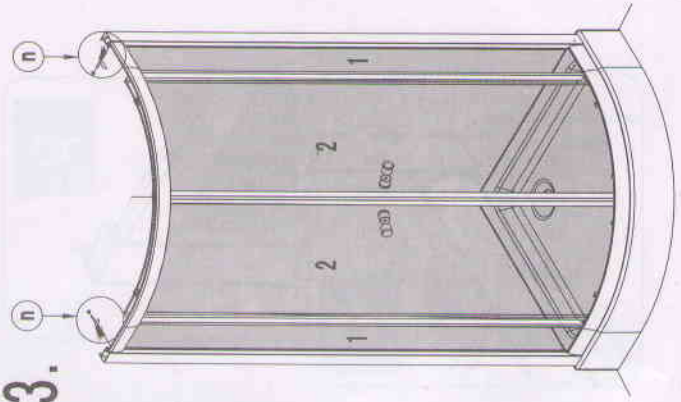
11.



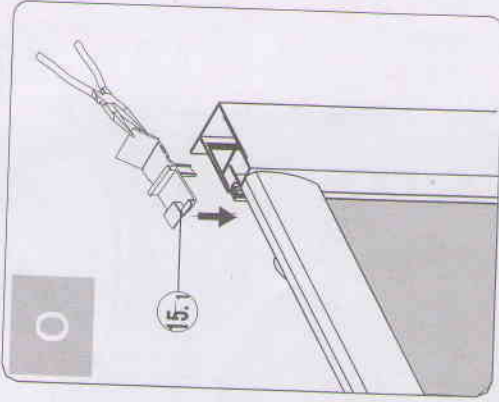
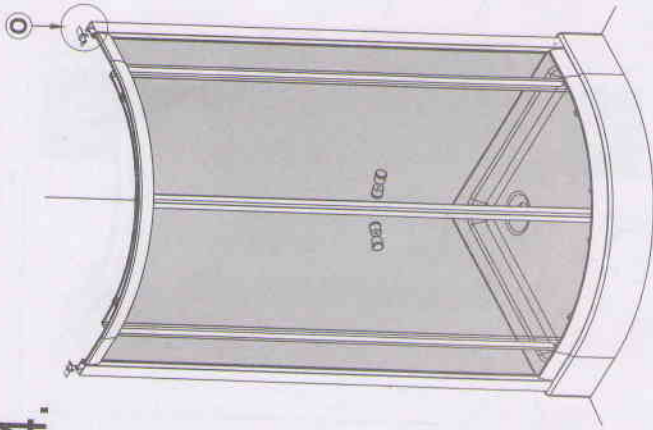
12.



13.



14.



15.

